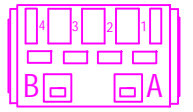
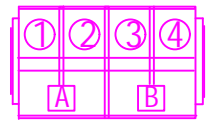


1	2023.05.25	A
---	------------	---

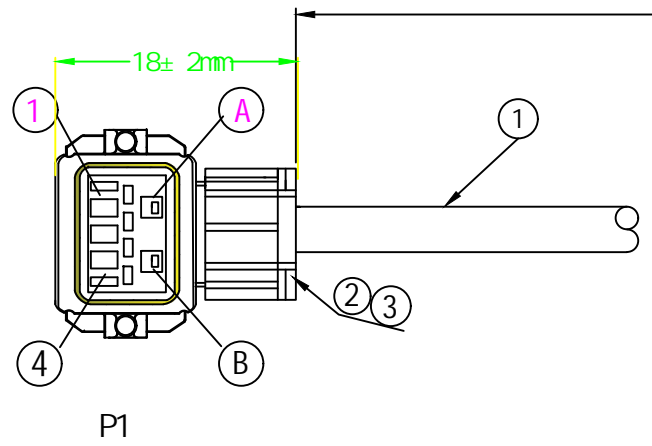
P1



Front view

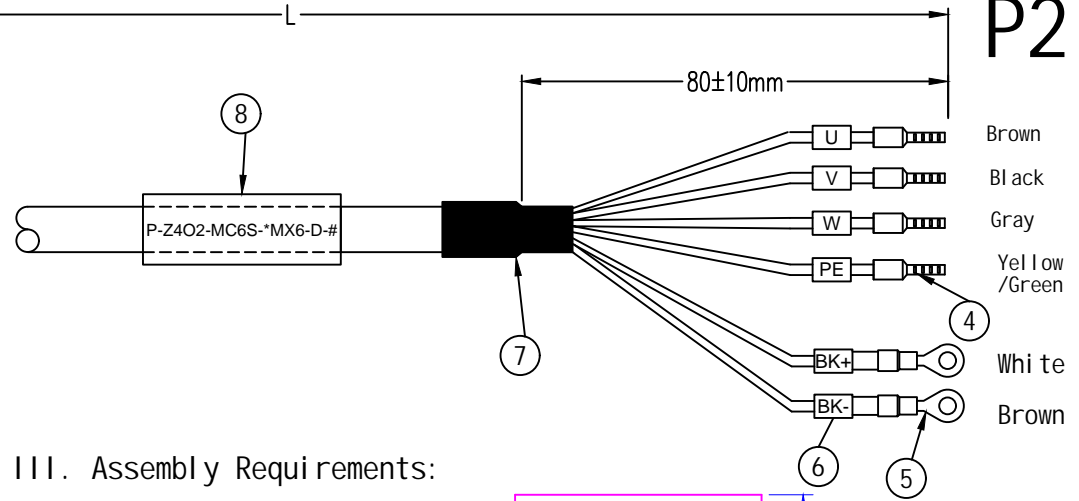


Insert view



P1

P2



- Brown U
- Black V
- Gray W
- Yellow /Green PE
- White BK+
- Brown BK-

I. Wiring Table

P1	Color		P2
3	Brown or Red	U	E terminal
1	Black or Blue	V	E terminal
2	Gray or Brown	W	E terminal
4	Yellow /Green	PE	E terminal
A	White	BK+	0 terminal
B	Brown	BK-	0 terminal

II. Test Conditions:

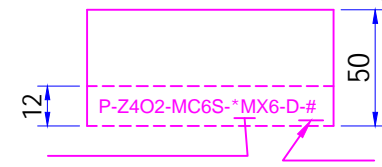
1. 100% Open & Short Circuit Test
2. Withstand Voltage Test: DC 300V
3. Continuity Impedance: < 5
4. Insulation Resistance: 300 M

III. Assembly Requirements:

1. P2 terminal crimp free of deformation, crack or stray wires.
2. Fit heat shrink tube before P1 assembly; wire shall not slip after locking.
3. Thread serrated marker tube by wire color before crimping; no missing/wrong threading.

IV. Packaging:

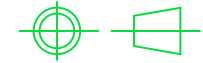
1. Coil dimension: 120±20 mm, then secure with black cable ties;
2. Place the coiled cable into a PE zipper bag.



- Length: *M = Meters
 Examples: 3M=3m, 5M=5m, 10M=10m
- 1: Standard flex, 2M cycles
 - 2: High flex, 5M cycles
 - 3: Ultra flex, 10M cycles

8	Label: 50×12×35, t0.03, white opaque PET sticker	1	PCS
7	Heat shrink tube, ID8.0, heavy-wall 600V, black	1	PCS
6	Marker tube, ID1.0, L15mm, PVC serrated, print U,V,W,PE,BK+,BK-	6	PCS
5	Terminal: RV1.25-4S 0-terminal, red insulator	2	PCS
4	Terminal: EV7508 E-terminal, red insulator	4	PCS
3	Terminal: SUNCHU FMCK6012220	1	PCS
2	Connector: SUNCHU SC-MC6S-AC20-00	1	PCS
1	Cable 4C×0.5mm ² +2C×0.3mm ² , OD7.2, ultra-flex 10M cycles, orange	X	M
	Cable 4C×0.5mm ² +2C×0.3mm ² , OD7.2, high-flex 5M cycles, orange	X	M
	Cable 4C×0.5mm ² +2C×0.3mm ² , OD7.2, standard-flex 2M cycles, black	X	M

0 L 1000mm	± 20	3000 L 5000mm	± 60	10000 L 15000mm	± 200
1000 L 3000mm	± 40	5000 L 10000mm	± 100	15000 L 20000mm	± 300



2023.05.25

Unit

mm

A

1/1

Model P-Z4O2-MC6S-*MX6-D-#

Spec: Low-power cable with brake wire, SC-MC6S-AC20-00T0 4E20 terminal
 4C*O.50mm²+2C*O.3mm²

NO.	DESCRIPTION	Q'TY	UNIT
-----	-------------	------	------

1 2 3 4 5 6 7 8